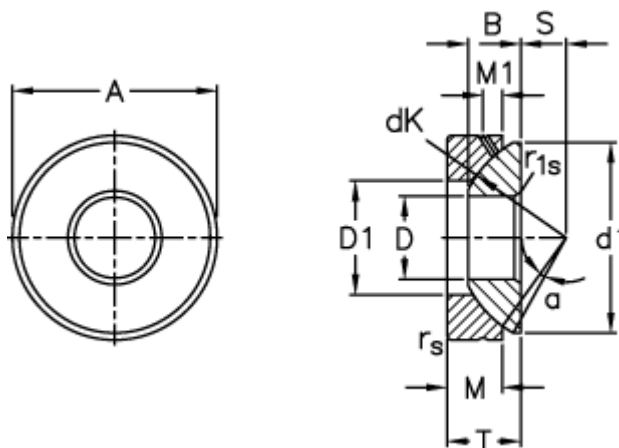


Article number: 03511180

Description: Fluro Rod end GE 180AX

Measures



| | | | |
|---------------------------|----------------|---------------------------|------------------|
| A | = 320 0 -0,040 | M1 | = 26 |
| B | = 74 | rs, r1s min | = 1.5 |
| D | = 180 0 -0,025 | S | = 67.5 |
| d1 max | = 299 | Static axial load C0 (kN) | = 10600 |
| D1 min | = 225 | T | = 86 +0,25 -0,70 |
| dK | = 340 | Tilt angle | = 4 |
| Dynamic axial load C (kN) | = 2120 | Weight | = 30900 |
| M | = 62 | | |